

## External Single-port Active GNSS Antenna

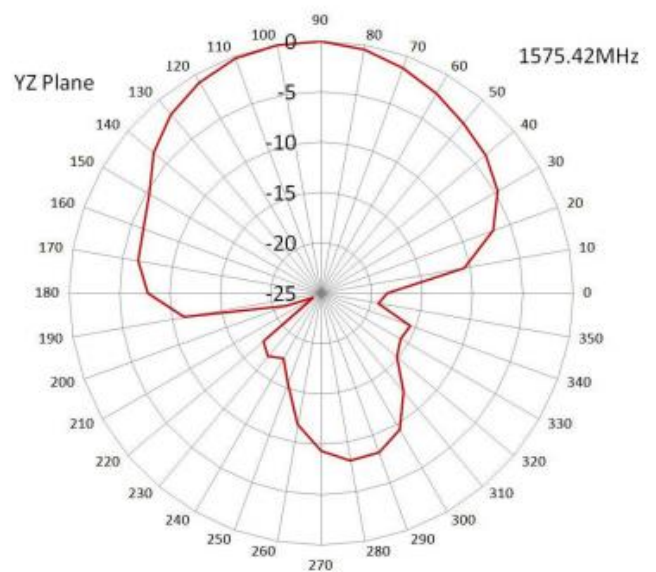
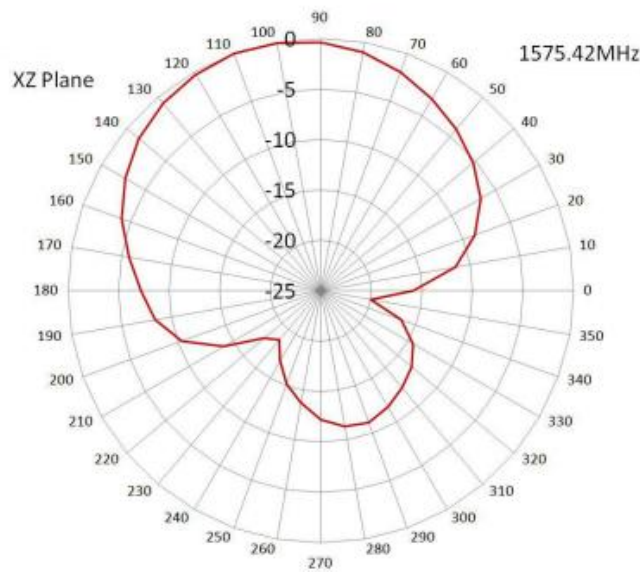
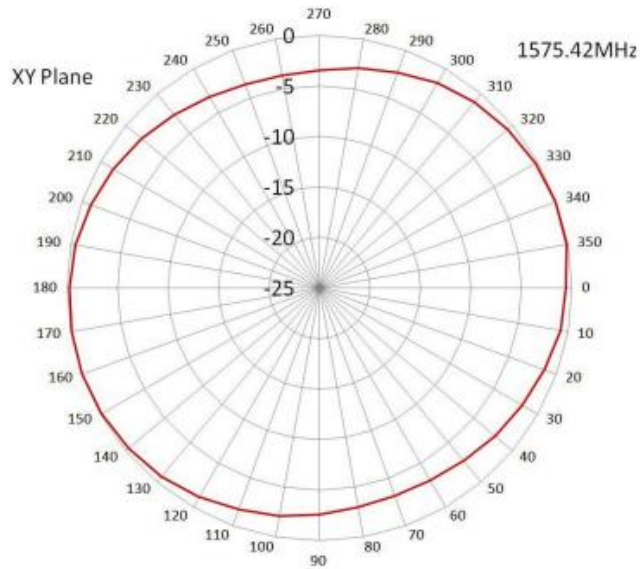
- Technology: GPS L1/BD B1
- High gain GNSS antenna (LNA Integrated)
- Screw mounting
- Applications in utilities, tracking, transportation, wireless communications etc.



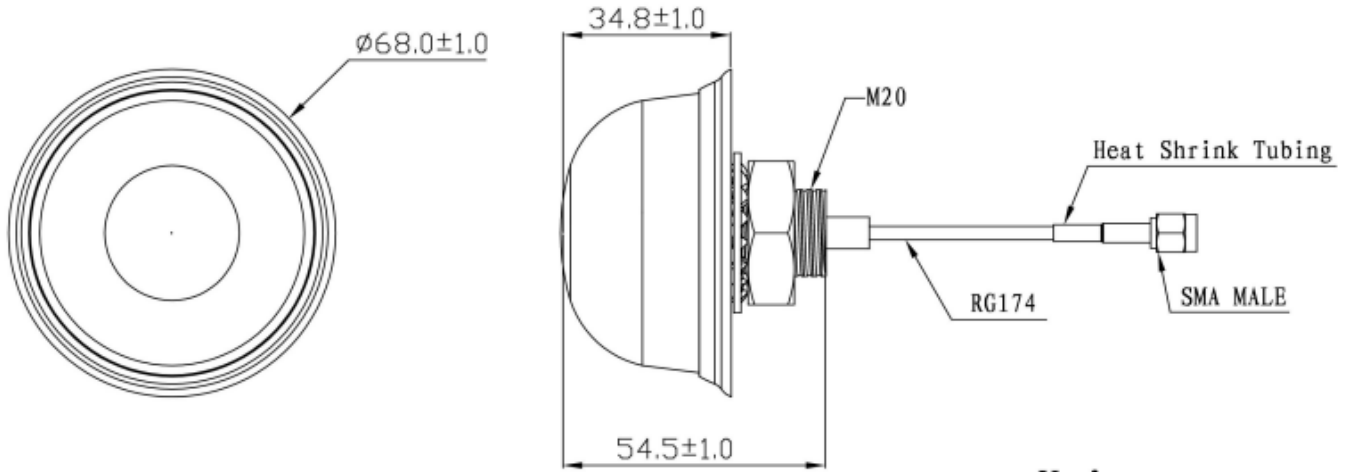
Item	Performance Specifications
GNSS Antenna Center Frequency	1575.42±3MHz
GNSS Antenna Band Width	CF±5MHz
GNSS Antenna Polarization	RHCP
GNSS Antenna Gain	2dBic (Zenith)
GNSS Antenna V.S.W.R	<1.5
GNSS Antenna Impedance	50 Ω
GNSS Antenna Axial Ratio	3dB (max)
LNA Gain	28±2dB
LNA Noise Figure	<1.5dB
LNA V.S.W.R	<2
LNA Supply Voltage	2.2~5V DC
Cable	RGB174,fully customized
Connector	SMA, fully customized
Mounting Method	Screw
Operating Temperature	-40°C~+85°C
Relative Humidity	Up to 95%
Vibration	10 to 55Hz with 1.5mm amplitude 2 hours
Environmentally Friendly	ROHS compliant
Ingress Protection	IP67(exclude cable outlet)

## Radiation Pattern

### GNSS Antenna



## Antenna Mechanical Drawing



Unit: mm