

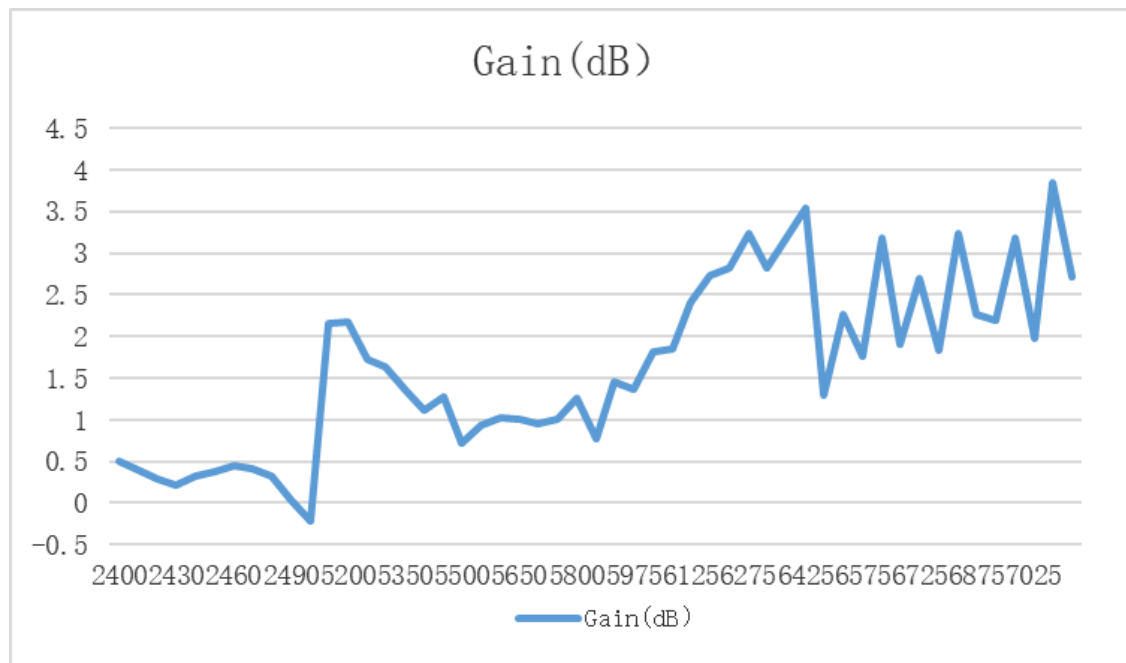
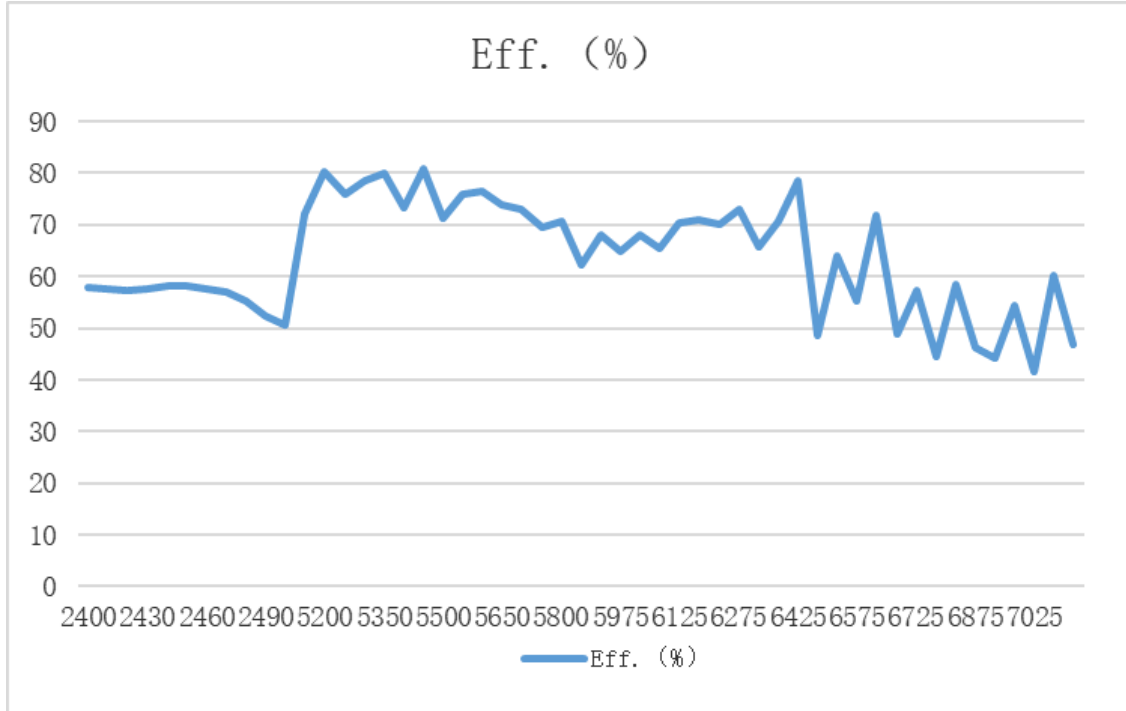
## Wi-Fi Triple-Band Flexible PCB Antenna

- Embedded flexible PCB antenna
- Technology: Triple-band Wi-Fi
- Cables and connector, fully customizable
- Applications in M2M equipment, medical devices, smart mobile device, etc.

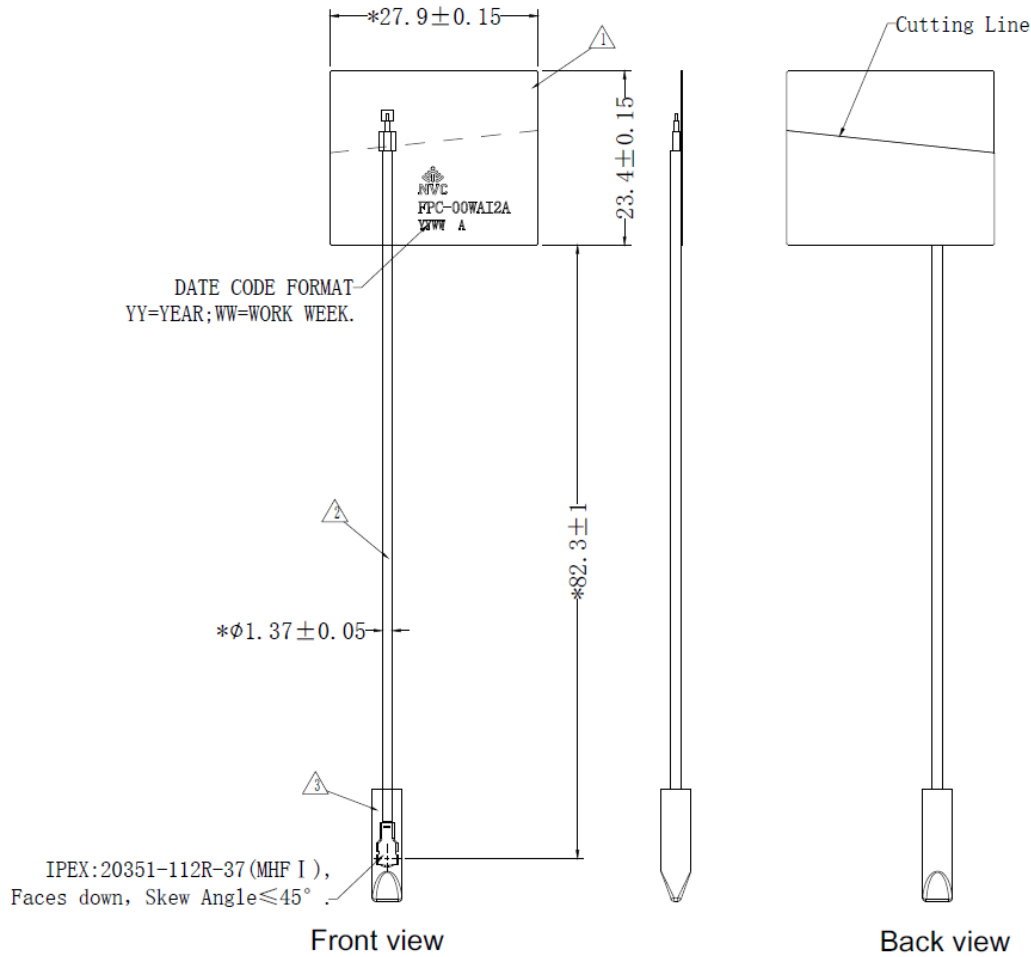


Item	Performance Specifications		
Center Frequency	2450MHz	5550MHz	6500MHz
Efficiency (%)	>50	>70	>60
Peak Gain (dBi)	0.5	2.1	3.8
V.S.W.R	<1.5		
Cable	RF1.37, fully customized		
Connector	IPEX, fully customized		
Mounting Method	Adhesive, fully customized		
Operating Temperature	-40°C~+85°C		
Relative Humidity	Up to 95%		
Vibration	10 to 55Hz with 1.5mm amplitude 2 hours		
Environmentally Friendly	ROHS compliant		

## Antenna Efficiency and Gain Test Data



## Antenna Mechanical Drawing



3	66-FPC-00WAI0A01	RF plug protector: Φ3*L15	1
2	41-FPC-00WAI2A01	FPC-00WAI2A01-Cable-Black-Φ1.37-IPEX1	1
1	40-FPC-00WAI2A01	FPC-00WAI2A01-FPC-Black-PI	1
ITEM	Part NO.	Description	QTY