

External Single-port Active GNSS Antenna

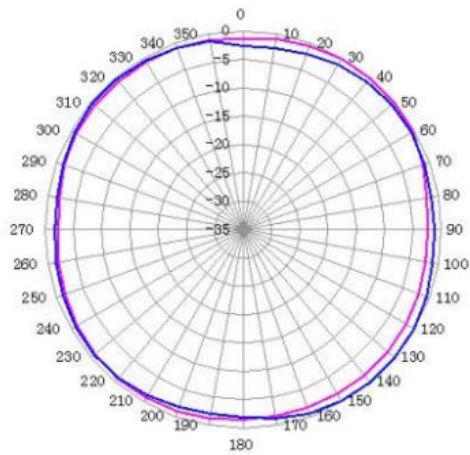
- Technology: GPS L1/BD B1
- High gain GNSS antenna (LNA Integrated)
- Magnet/Adhesive Mounting
- Applications in utilities, tracking, transportation, wireless communications etc.



Item	Performance Specifications
GNSS Antenna Center Frequency	1561.098/1602MHz
GNSS Antenna Polarization	RHCP
GNSS Antenna Gain	2dBic(Zenith)
GNSS Antenna V.S.W.R	<1.5
GNSS Antenna Impedance	50 Ω
GNSS Antenna Axial Ratio	3dB (max)
LNA Gain	28±2dB
LNA Noise Figure	<1.5dB
LNA V.S.W.R	<2
LNA Ex-band Attenuation	25dB@1561-50MHz/25dB@1602+50MHz
LNA Supply Voltage	2.5~5V DC
Cable	RGB174,fully customized
Connector	SMA, fully customized
Mounting Method	Magnet/Adhesive, fully customized
Operating Temperature	-40°C~+85°C
Relative Humidity	Up to 95%
Vibration	10 to 55Hz with 1.5mm amplitude 2 hours
Environmentally Friendly	ROHS compliant
Ingress Protection	IP65~IP67

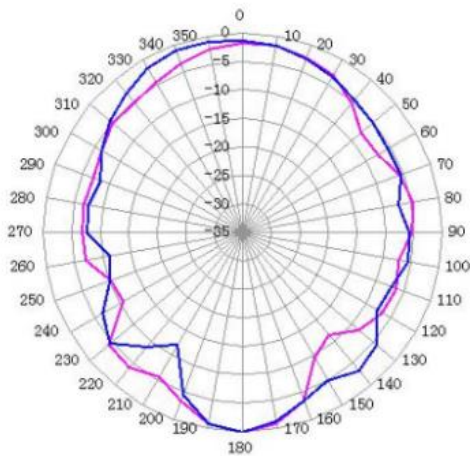
Radiation Pattern

GNSS Antenna



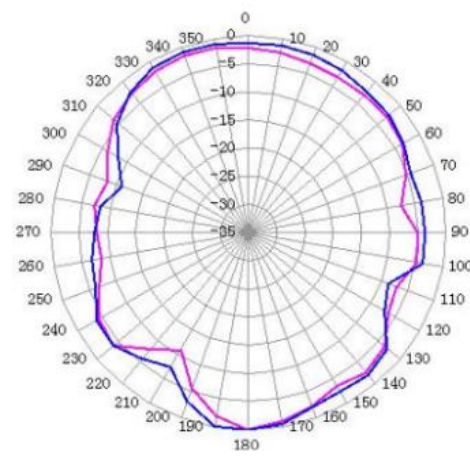
XY PLANE

— 1561MHz
— 1602MHz



XZ PLANE

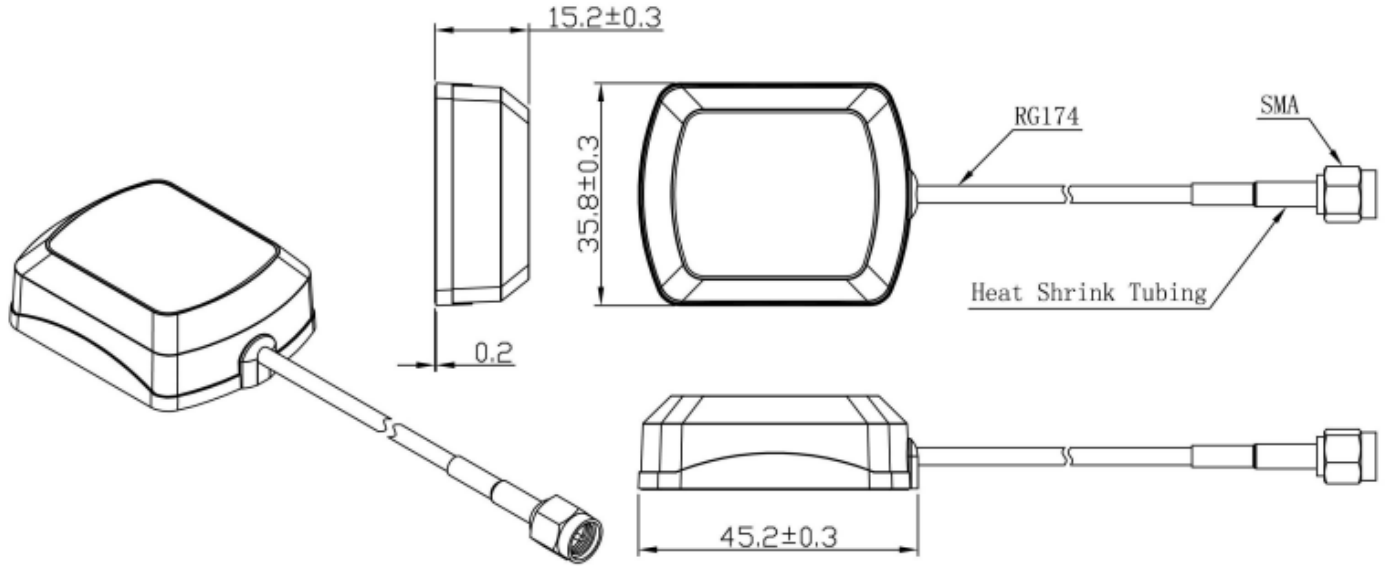
— 1561MHz
— 1602MHz



YZ PLANE

— 1561MHz
— 1602MHz

Antenna Mechanical Drawing



UNIT: mm