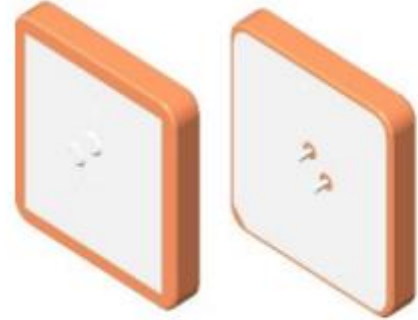


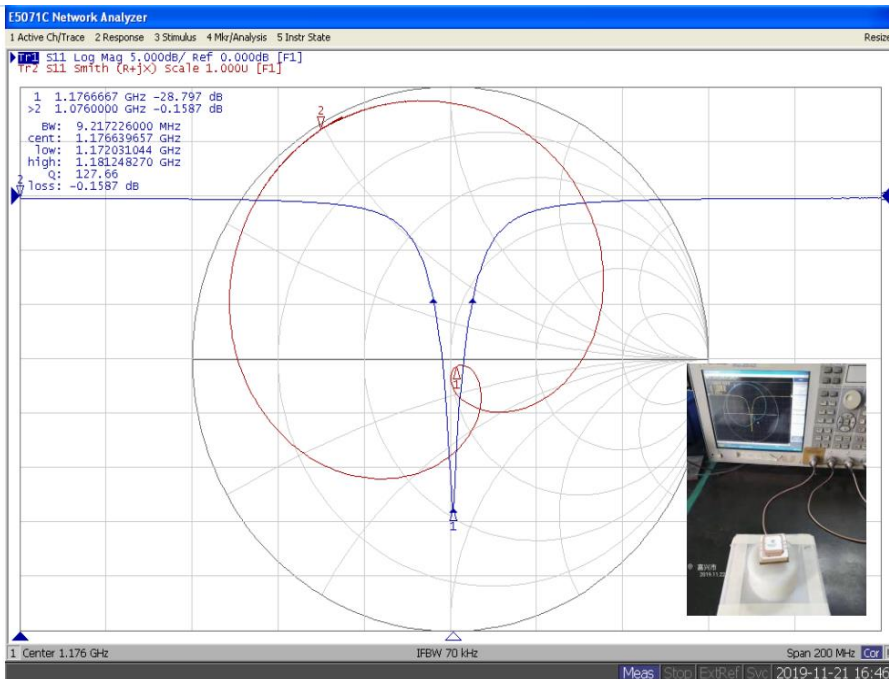
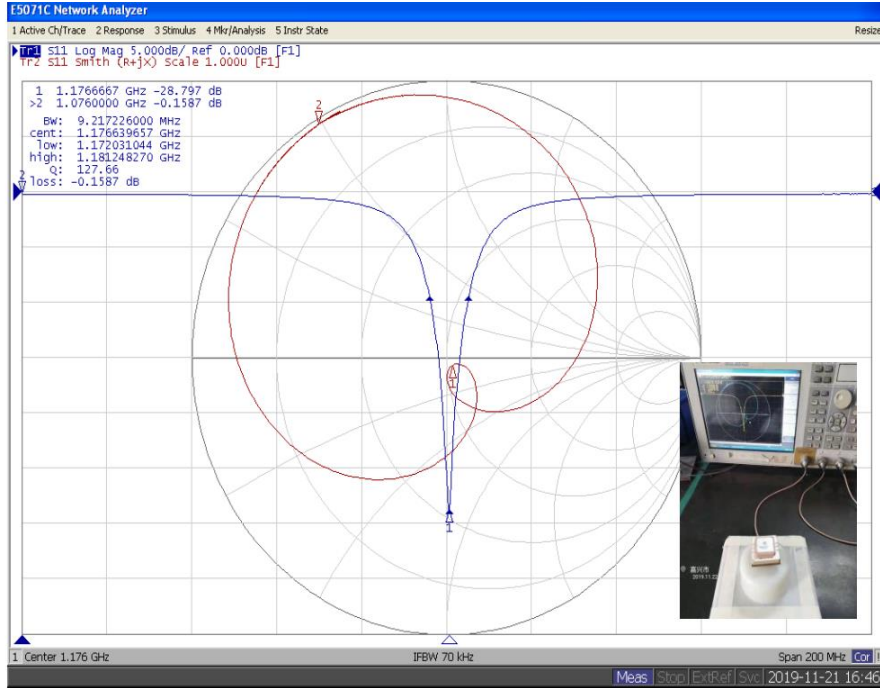
Passive Ceramic Patch Antenna

- Dual-band, Dual-feed
- Embedded passive antennas for GNSS
- Technology: GPS L1/L5; BD B1/B2
- Pin type
- Applications in navigation, automotive, tracking, monitoring, security etc.

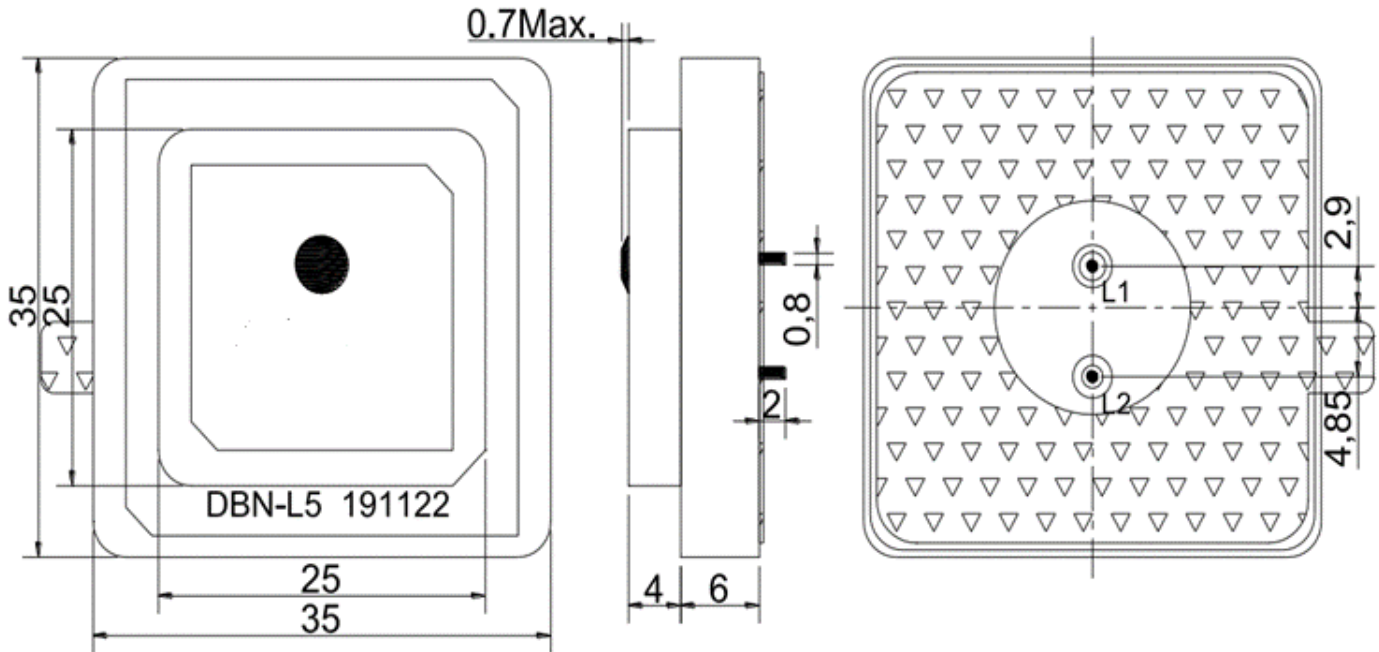


Item	Performance Specifications
Center Frequency	1575/1176 MHz
Return Loss @ F0	≤- 10dB
Polarization	RHCP
Gain @ Zenith	4dBic
Ground plane	70x70mm
Impedance	50 Ω

S-Parameter



Mechanical Drawing



Tolerance Unless Otherwise Specified: ± 0.30
Unit: mm